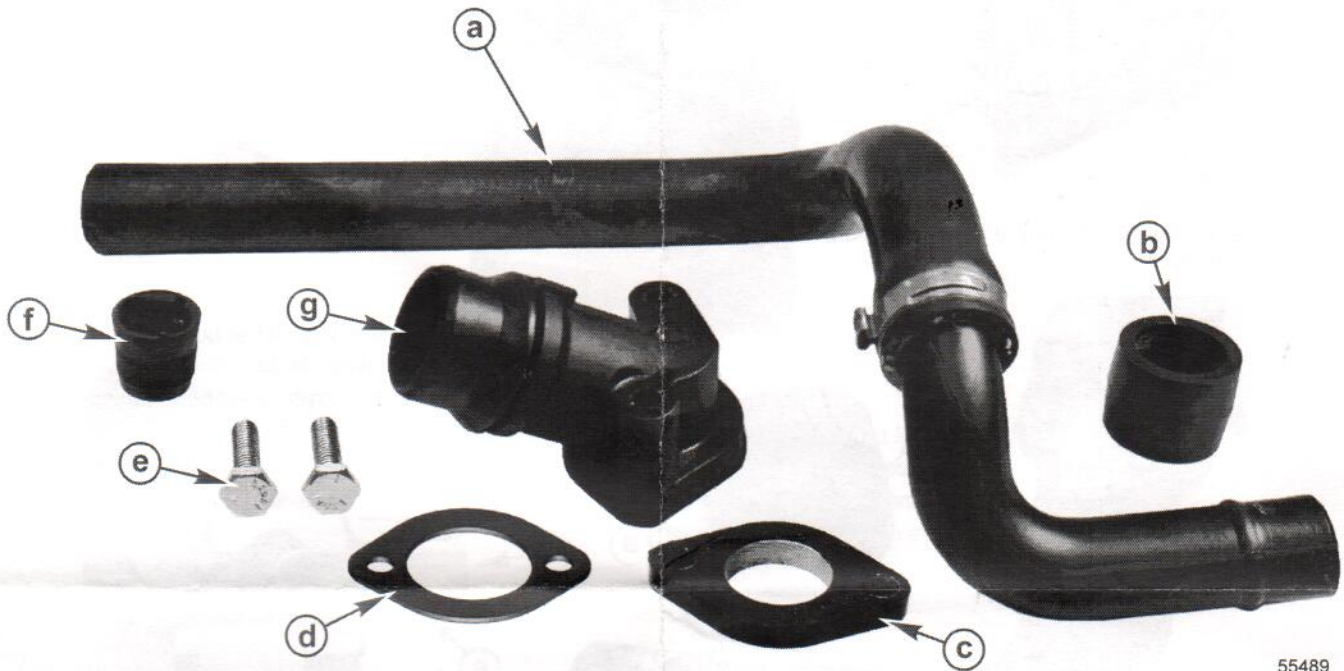


# BRAVO WATER HOSE KIT ASSEMBLY

**IMPORTANT:** This document guides our dealers, boatbuilders, and company service personnel in the proper installation or service of our products. If you have not been trained in the recommended servicing or installation procedures for these or similar Mercury Marine products, have the work performed by an authorized Mercury Marine dealer technician. Improper installation or servicing of the Mercury product could result in damage to the product or personal injury to those installing or operating the product.

**NOTE:** After completing installation, place these instructions with the product for the owner's future use.

## Components Contained in Kit



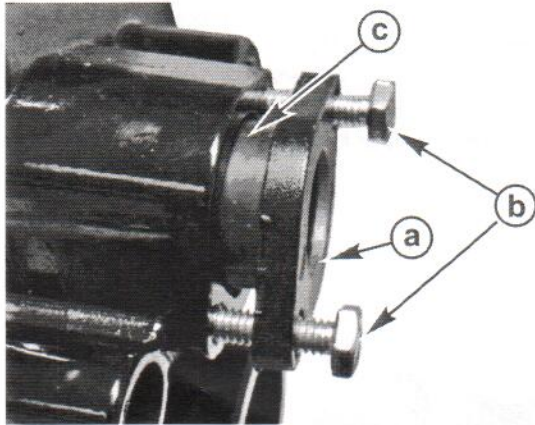
Ref.	Qty.	Description
a	1	Hose assembly
b	1	Rubber bushing
c	1	Bushing retaining tool
d	1	Water inlet housing gasket
e	2	Screw (0.25 x 20 x 1.00)
f	1	Hose end insert
g	1	Water inlet housing

## Bravo Water Hose Kit Installation Instructions

Remove the old water hose per the appropriate service manual and clean all orifices and surfaces thoroughly. Retain the water inlet housing screws for reuse on the new water inlet housing.

1. Place the rubber bushing into the gimbal housing.
2. Install the bushing retaining tool, supplied with the kit, to hold the bushing in place during the insertion of the water tube.

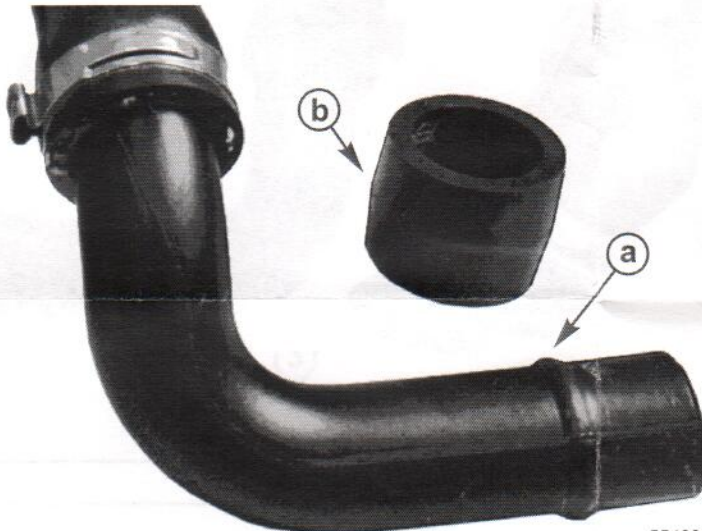
- Turn the 25.4 cm (1 in.) screws 1–2 turns maximum. This places the retaining tool at the appropriate location to act as a support for the bushing when inserting the tube from the aft inside of the gimbal housing. If the fasteners are turned in further than two turns, the insertion force will increase significantly.



Install rubber bushing  
a - Retaining tool  
b - Fasteners  
c - Rubber bushing

55492

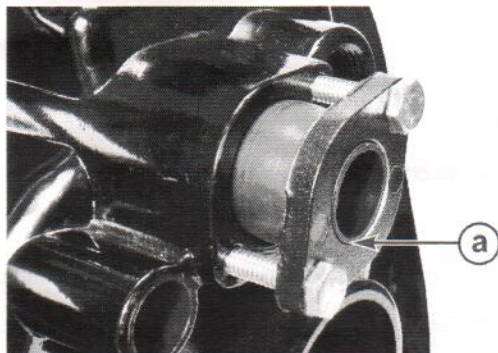
- Coat the plastic end of the hose assembly with a good amount of soapy water (liquid dish soap and water) to aid in assembly.



Water hose and rubber bushing  
a - Rib on water hose  
b - Recessed area on rubber bushing

55493

- With the rubber bushing placed in the housing and held in place by the bushing retaining tool, insert the plastic end of the hose assembly. Push firmly until the rib on the water hose seats in the recessed area of the rubber bushing. Proper insertion of the water hose rib into the recessed area of the bushing will be evidenced by the water hose end and the retaining tool surface being flush with each other.



a - Surfaces flush with each other

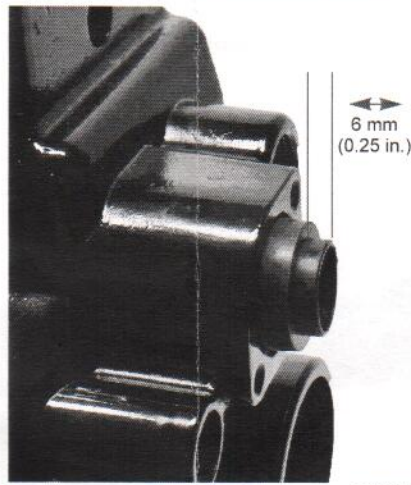
55998

- With the retaining tool in place, tighten the screws to insert the bushing to its properly seated position. Tighten the screws to the specified torque.

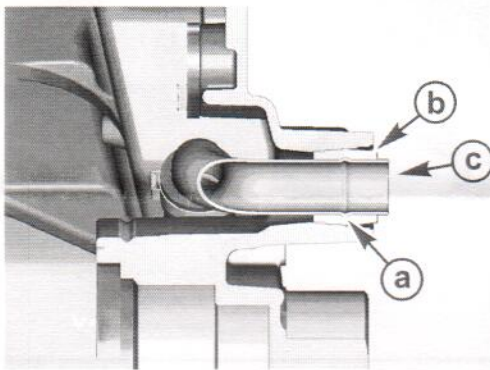


Description	Nm	lb-in.	lb-ft
Bushing retaining tool screws	2.3	20.3	-

- Remove the bushing retainer tool from the gimbal housing.
- Verify that the water hose and the rubber bushing have been installed correctly. The plastic portion of the water hose should protrude approximately 6 mm (0.25 in.) beyond the rubber bushing.



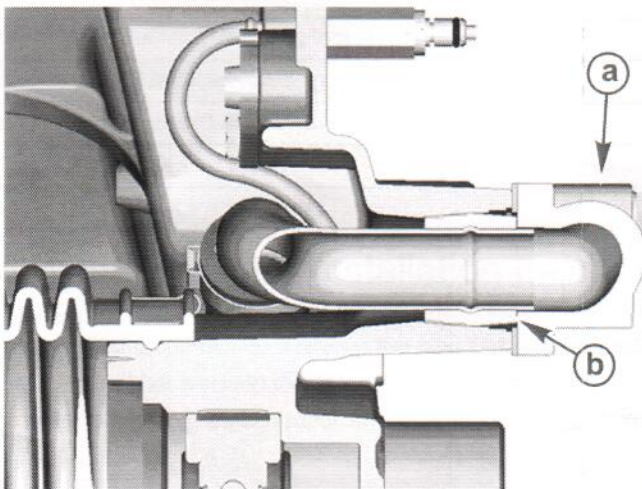
55985



55495

**Water hose correct installation**  
 a - Water hose seated properly  
 b - Rubber bushing proper depth  
 c - Correct protrusion after installation

- Remove the paper backing from the inlet gasket and adhere the gasket to the water inlet housing.
- Install the water inlet housing to the gimbal housing, as shown. Tighten the fasteners to the specified torque.



56071

**Water inlet housing installed**  
 a - Water inlet  
 b - Compression area for rubber bushing

Description	Nm	lb-in.	lb-ft
Water inlet housing fasteners	5	44	-

- Complete the rest of the assembly according to the appropriate service manual.

**Products of Mercury Marine**  
W6250 Pioneer Road  
Fond du Lac, WI 54936-1939

© MERCURY MARINE. All rights reserved. Reproduction in whole or in part without permission is prohibited. Alpha, Axius, Bravo One, Bravo Two, Bravo Three, Circle M with Waves Logo, K-planes, Mariner, MerCathode, MerCruiser, Mercury, Mercury with Waves Logo, Mercury Marine, Mercury Precision Parts, Mercury Propellers, Mercury Racing, MotorGuide, OptiMax, Quicksilver, SeaCore, Skyhook, SmartCraft, Sport-Jet, Verado, VesselView, Zero Effort, Zeus, #1 On the Water and We're Driven to Win are registered trademarks of Brunswick Corporation. Pro XS is a trademark of Brunswick Corporation. Mercury Product Protection is a registered service mark of Brunswick Corporation.