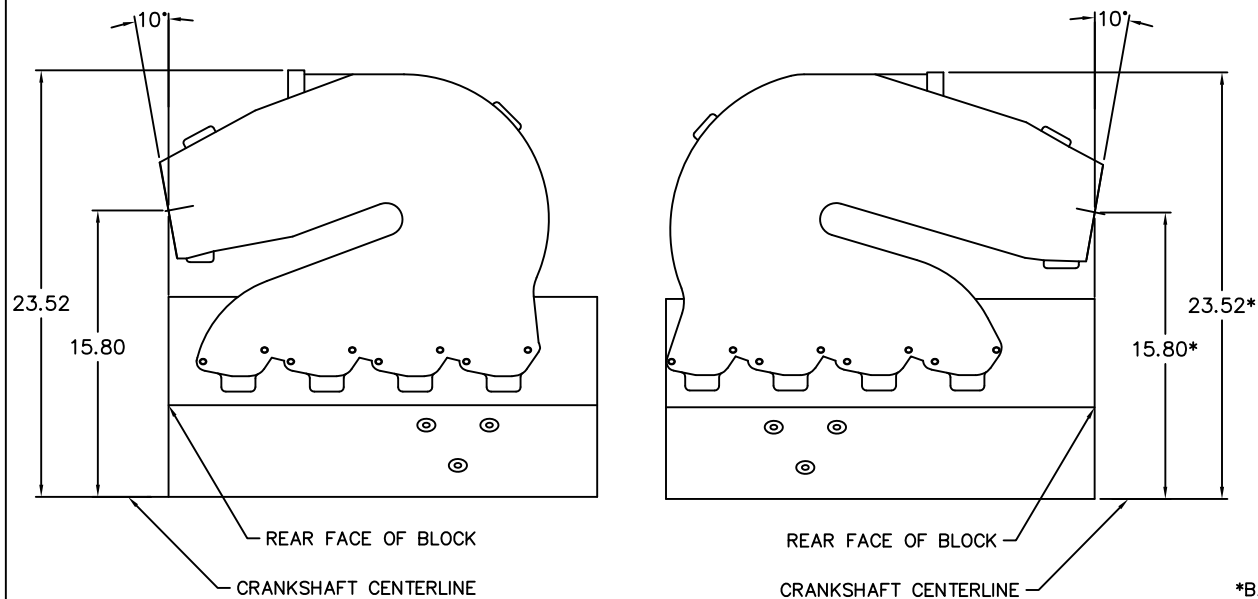


KEITH EICKERT

PART NUMBER: 755-8935

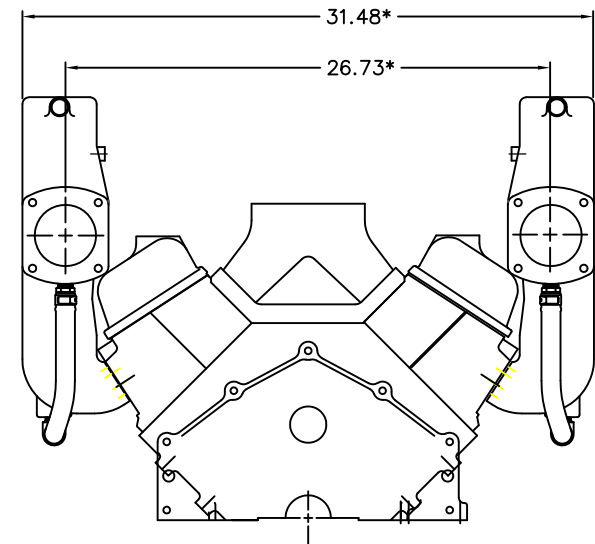
DESCRIPTION:
KE EXHAUST MANIFOLDS

EXHAUST SYSTEM DIMS. - W/GM CAST IRON HEADS



*BASIC DIMENSION FOR STD. DECK (9.80") BLOCK W/GM CAST IRON HEADS.
FOR TALL (10.20") DECK HT. ADD .29"
FOR DART 360 HEADS ADD .27"
FOR DART 360SR HEADS ADD .44"
FOR BRODIX "BIG BRODIE" HEADS ADD .34"
CALL FOR DETAILS ON OTHER COMBINATIONS.

THESE DIMENSIONS WILL VARY WITH BLOCK, HEAD AND GASKET MODIFICATIONS.
PORT SIDE SHOWN ABOVE - STARBOARD DIMENSIONS ARE THE SAME.



*BASIC DIMENSION FOR STD. DECK (9.80") BLOCK W/GM CAST IRON HEADS.
FOR TALL (10.20") DECK HT. ADD .57"
FOR DART 360 HEADS ADD .54"
FOR DART 360SR HEADS ADD .88"
FOR BRODIX "BIG BRODIE" HEADS ADD .67"
CALL FOR DETAILS ON OTHER COMBINATIONS.

THESE DIMENSIONS WILL VARY WITH BLOCK, HEAD AND GASKET MODIFICATIONS.