



# Keith Eickert

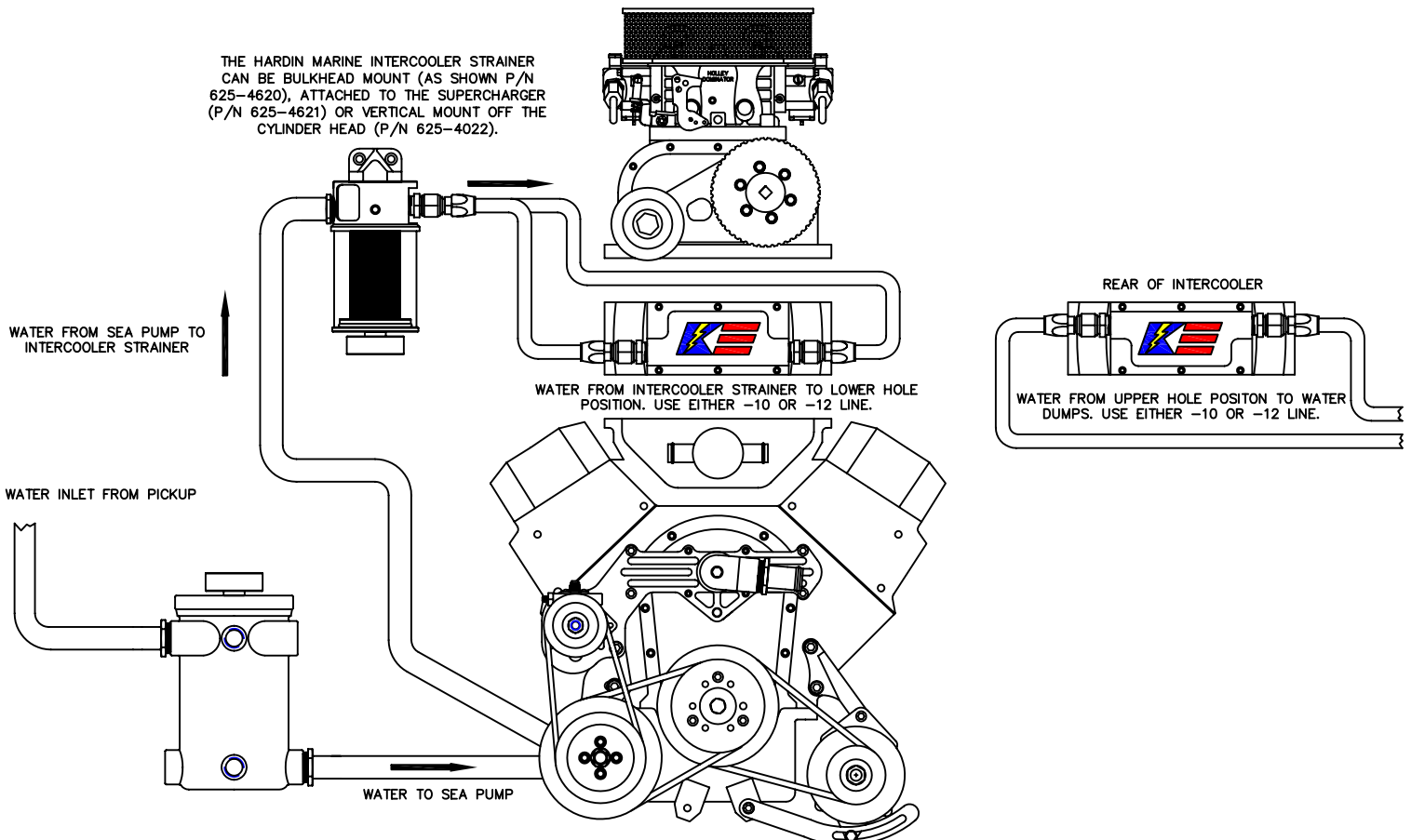
## Offshore Performance Products

11 Industry Drive Palm Coast, FL 32137  
386-446-0660 [www.keitheickert.com](http://www.keitheickert.com)

### MULTI STAGE WATERPUMP PLUMBING

Use of a Hardin Marine or Keith Eickert multi stage sea pump allows a specially designed single 1" NPT or dual 3/4" NPT intercooler outlet provision. From here a single 1" NPT can be plumbed to the intercooler sand strainer if one is being used or the dual 3/4" NPT x -12 (P/N 545-61296) or 3/4" x -10 (P/N 545-61096) fittings can be plumbed directly to the intercooler on applications not using a sand strainer. Out of the intercooler sand strainer dual 3/4" NPT x -12 (P/N 545-61296) or 3/4" NPT x -10 (P/N 545-61096) fittings can be plumbed to the front inlet side of the intercooler. NOTE the dual 3/4" NPT x -12 inlets on the intercooler should be on the lower section of the inlet cap. Water enters the intercooler at its base and exits the rear of the intercooler on the upper portion of the rear outlet through 3/4" NPT holes plumbed to water exit hoses using 3/4" NPT x -12 (P/N 545-61296) or 3/4" NPT x -10 (P/N 545-61096) fittings. It is important to remember that at least the same size or larger hoses should be used to exit water from the intercooler to be dumped over board as to not build pressure in the unit.

THE HARDIN MARINE INTERCOOLER STRAINER CAN BE BULKHEAD MOUNT (AS SHOWN P/N 625-4620), ATTACHED TO THE SUPERCHARGER (P/N 625-4621) OR VERTICAL MOUNT OFF THE CYLINDER HEAD (P/N 625-4022).





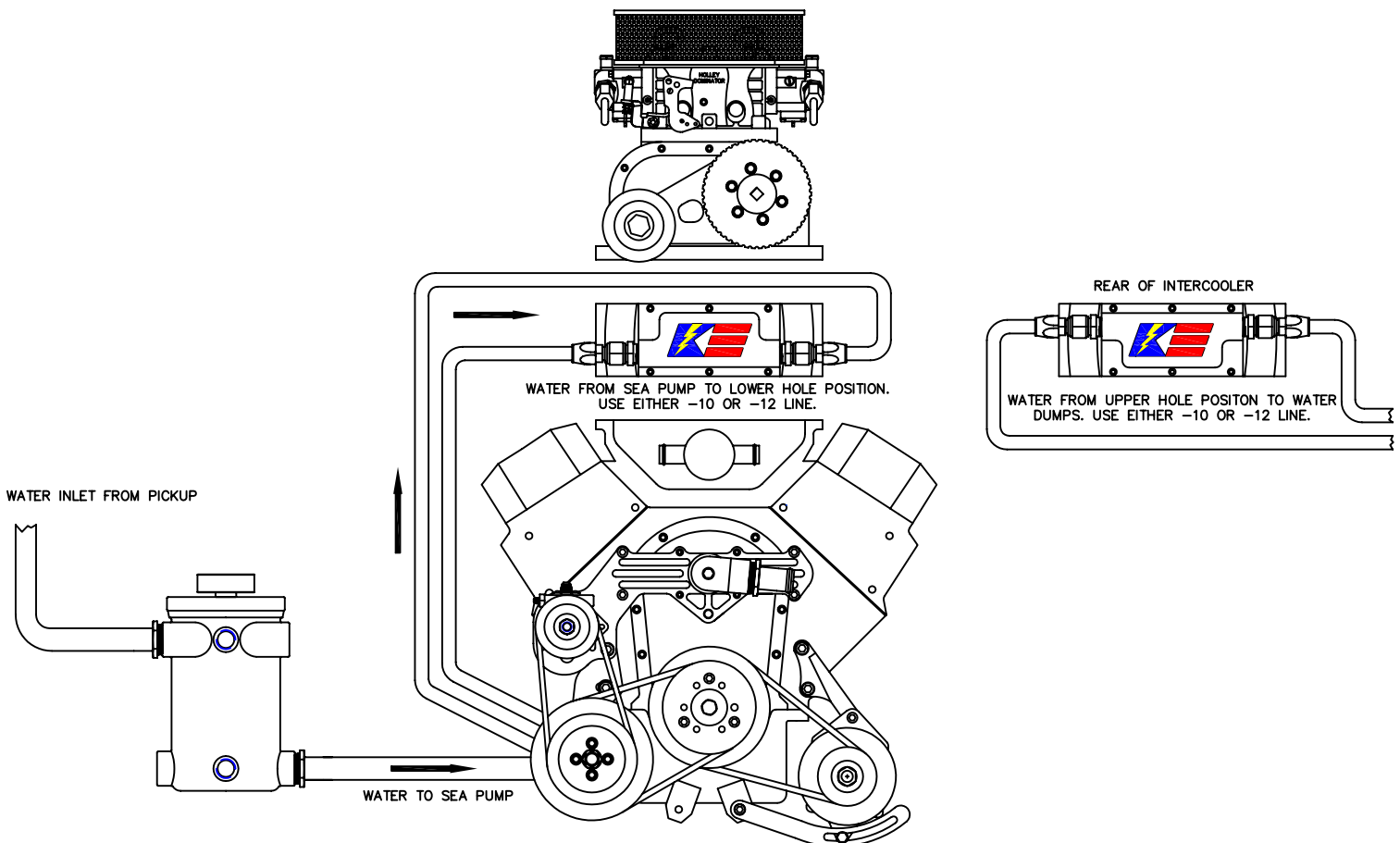
# Keith Eickert

## Offshore Performance Products

11 Industry Drive Palm Coast, FL 32137  
386-446-0660 [www.keitheickert.com](http://www.keitheickert.com)

### MULTI STAGE WATERPUMP PLUMBING

Use of a Hardin Marine or Keith Eickert multi stage sea pump allows a specially designed single 1" NPT or dual 3/4" NPT intercooler outlet provision. From here a single 1" NPT can be plumbed to the intercooler sand strainer if one is being used or the dual 3/4" NPT x -12 (P/N 545-61296) or 3/4" x -10 (P/N 545-61096) fittings can be plumbed directly to the intercooler on applications not using a sand strainer. Out of the intercooler sand strainer dual 3/4" NPT x -12 (P/N 545-61296) or 3/4" NPT x -10 (P/N 545-61096) fittings can be plumbed to the front inlet side of the intercooler. NOTE the dual 3/4" NPT x -12 inlets on the intercooler should be on the lower section of the inlet cap. Water enters the intercooler at its base and exits the rear of the intercooler on the upper portion of the rear outlet through 3/4" NPT holes plumbed to water exit hoses using 3/4" NPT x -12 (P/N 545-61296) or 3/4" NPT x -10 (P/N 545-61096) fittings. It is important to remember that at least the same size or larger hoses should be used to exit water from the intercooler to be dumped over board as to not build pressure in the unit.





# Keith Eickert

## Offshore Performance Products

11 Industry Drive Palm Coast, FL 32137  
386-446-0660 www.keitheickert.com

### FORCE FEED PLUMBING THE INTERCOOLER

In this application an external water pick up would be installed in the boat and plumbed directly to the sea strainer. From the sea strainer a single 1" NPT can be plumbed to the intercooler sand strainer if one is being used or the dual 3/4" NPT x -12 (P/N 545-61296) or 3/4" x -10 (P/N 545-61096) fittings can be plumbed directly to the intercooler on applications not using a sand strainer. Out of the intercooler sand strainer dual 3/4" NPT x -12 (P/N 545-61296) or 3/4" NPT x -10 (P/N 545-61096) fittings can be plumbed to the front inlet side of the intercooler. NOTE the dual 3/4" NPT x -12 inlets on the intercooler should be on the lower section of the inlet cap. Water enters the intercooler at its base and exits the rear of the intercooler on the upper portion of the rear outlet through 3/4" NPT holes plumbed to water exit hoses using 3/4" NPT x -12 (P/N 545-61296) or 3/4" NPT x -10 (P/N 545-61096) fittings. It is important to remember that at least the same size or larger hoses should be used to exit water from the intercooler to be dumped over board as to not build pressure in the unit.

THE HARDIN MARINE INTERCOOLER STRAINER CAN BE BULKHEAD MOUNT (AS SHOWN P/N 625-4620), ATTACHED TO THE SUPERCHARGER (P/N 625-4621) OR VERTICAL MOUNT OFF THE CYLINDER HEAD (P/N 625-4022).

