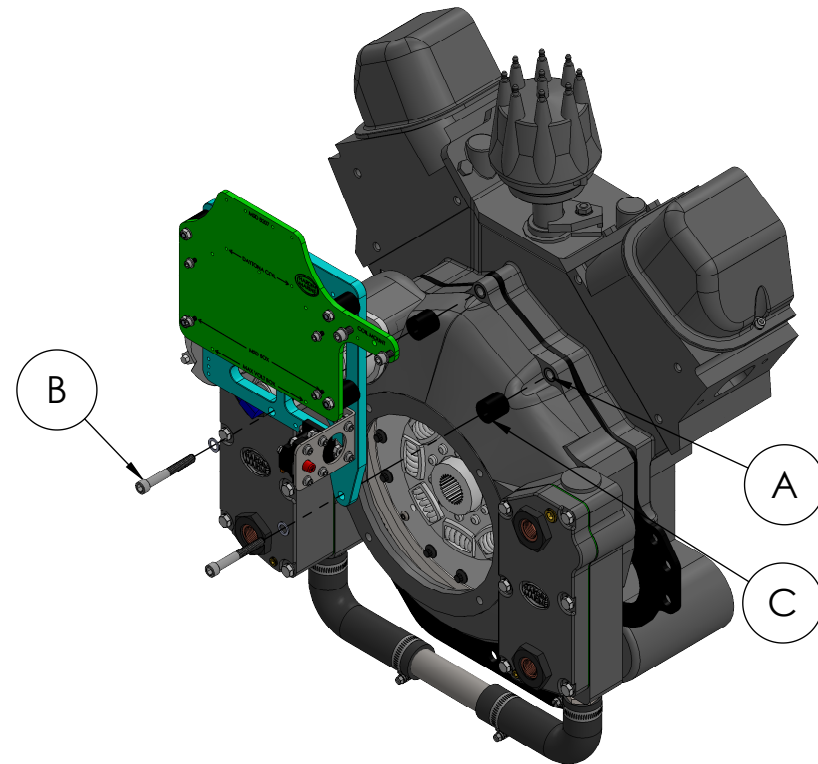
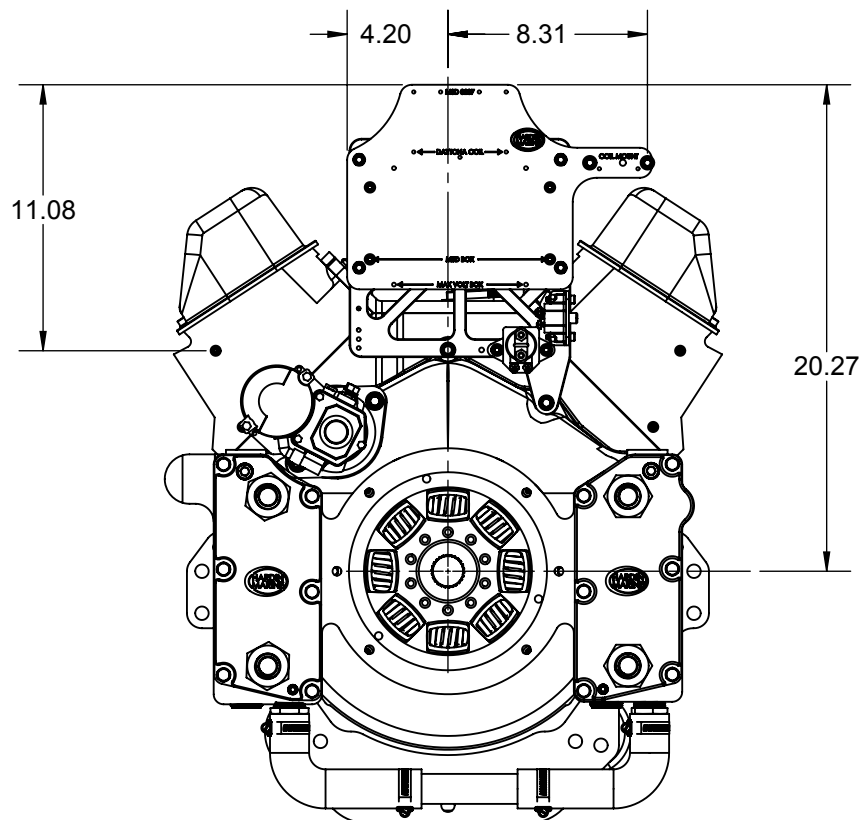


HARDIN MARINE 11 Industry Dr. Palm Coast, FL 32137
386-445-2500 / FAX 386-445-1122

PART NO.
755-3552

TITLE:
BELLHOUSING MOUNTED IGNITION BRACKET
- INSTALLATION INSTRUCTIONS

www.hardin-marine.com



INSTALLATION INSTRUCTIONS:

- 1) BRACKET COMES FULLY ASSEMBLED. DOES NOT INCLUDED THE BELLHOUSING.
- 2) BRACKET MOUNTS TO THE 2 UPPER BOSSES ON THE BELLHOUSING, FIG. A.
- 3) APPLY ANTI SEIZE TO THE SUPPLIED 3/8-16 x 2-3/4 BOLTS, FIG. B.
- 4) SLIDE WASHERS OVER BOLTS AND INSTALL INTO THE BRACKET.
- 5) INSTALL THE 755-5119 SPACERS, FIG. C, BETWEEN THE BRACKET AND THE BELLHOUSING.
- 6) USE A 5/16 HEX SOCKET TO TORQUE TO 30 FT. LBS..

THIS DRAWING IS CONFIDENTIAL AND IS SUPPLIED ON EXPRESS CONDITION THAT IT SHALL NOT BE LENT, COPIED OR DISCLOSED TO ANY OTHER PERSON OR USED FOR ANY OTHER PURPOSE WITHOUT WRITTEN CONSENT OF HARDIN MARINE INC.. BREACH OF THIS CONTRACT WILL HOLD AND IT'S PRINCIPALS LIABLE FOR LOSS AND DAMAGES.

HARDIN
MARINE

11 Industry Dr. Palm Coast, FL 32137
386-445-2500 / FAX 386-445-1122

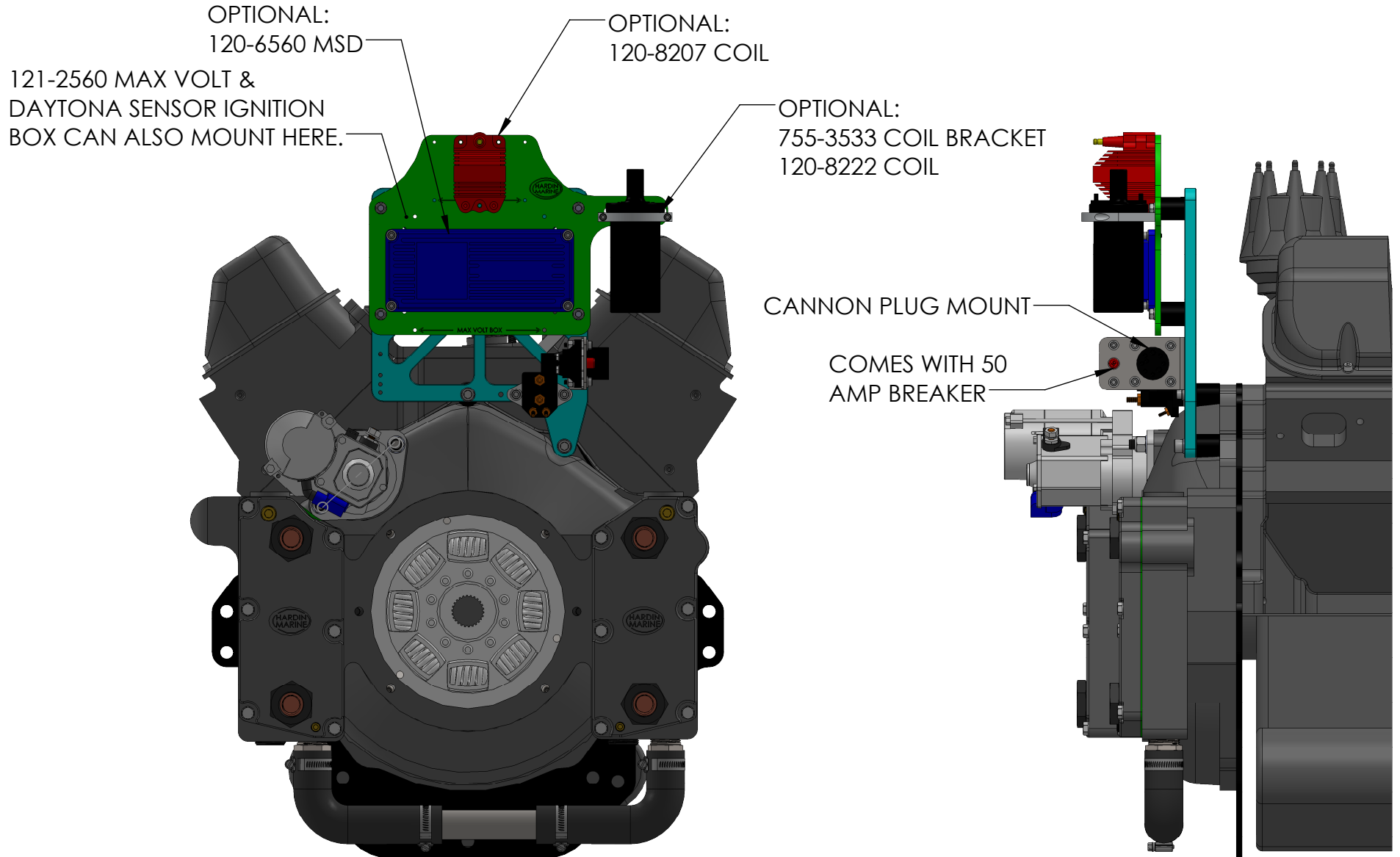
PART NO.

755-3552

TITLE:

BELLHOUSING MOUNT IGNITION BRACKET

www.hardin-marine.com



THIS DRAWING IS CONFIDENTIAL AND IS SUPPLIED ON EXPRESS CONDITION THAT IT SHALL NOT BE LENT, COPIED OR DISCLOSED TO ANY OTHER PERSON OR USED FOR ANY OTHER PURPOSE WITHOUT WRITTEN CONSENT OF HARDIN MARINE INC.. BREACH OF THIS CONTRACT WILL HOLD AND IT'S PRINCIPALS LIABLE FOR LOSS AND DAMAGES.