

HARDIN  
MARINE

11 Industry Dr. Palm Coast, FL 32137  
386-445-2500 / FAX 386-445-1122

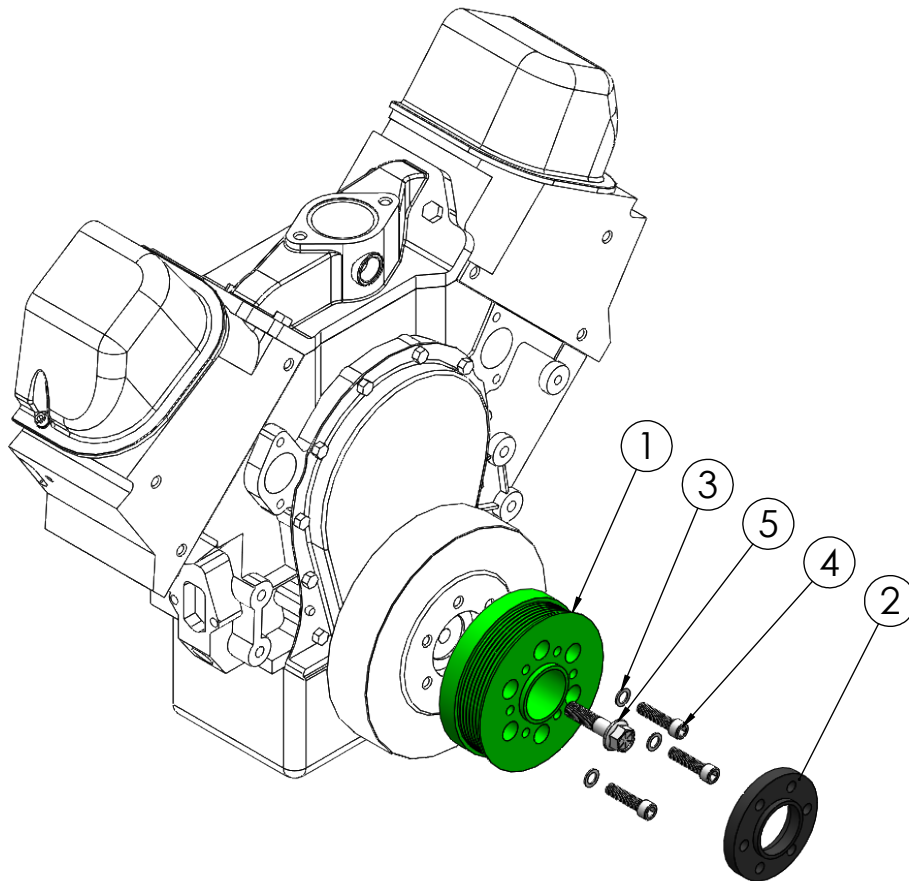
PART NO.  
625-8241/  
625-8243

TITLE:

## SUPERCHARGER WET SUMP DRIVE KIT - STEP 1

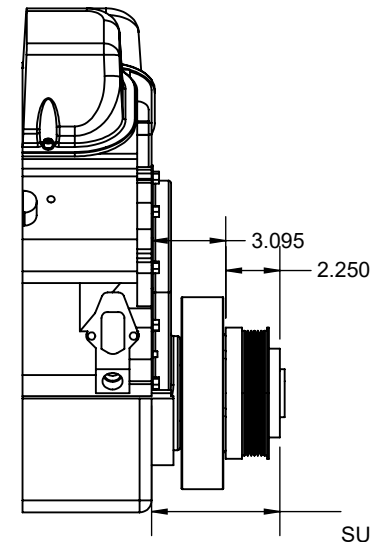
www.hardin-marine.com

ITEM NO.	PART NUMBER	DESCRIPTION	QTY.
1	625-8176	PULLEY, CRANK - SERPENTINE	1
2	625-8217	SPACER, S/C CRANK PULLEY	1
3	90037AN-STSS	WASHER, 3/8 AN	3
4	90037C150SH8	BOLT, SHCS, 3/8-16x1.50	3
5	90050F200HH8	BOLT, CRANK	1



### INSTALLATION INSTRUCTIONS:

- 1) MAKE SURE FACE OF DAMPER IS 3.095 FROM FRONT OF ENGINE BLOCK.
- 2) APPLY RED LOCTITE TO ALL BOLTS. INSTALL #4 BOLTS INTO THE #1 CRANK PULLEY WITH #3 WASHERS. USING 5/16 HEX SOCKET TORQUE TO 35 FT. LBS..
- 3) INSTALL #5 BOLT INTO THE CENTER OF THE CRANK PULLEY. USING 3/4 SOCKET, TORQUE TO 55-60 FT. LBS..
- 4) PLACE #2 SPACER BETWEEN THE CRANK AND S/C PULLEY.



5.345  
BLOCK MOUNTING FACE TO  
SUPERCHARGER PULLEY SPACER

HARDIN  
MARINE

11 Industry Dr. Palm Coast, FL 32137  
386-445-2500 / FAX 386-445-1122

PART NO.  
625-8241 &  
625-8243

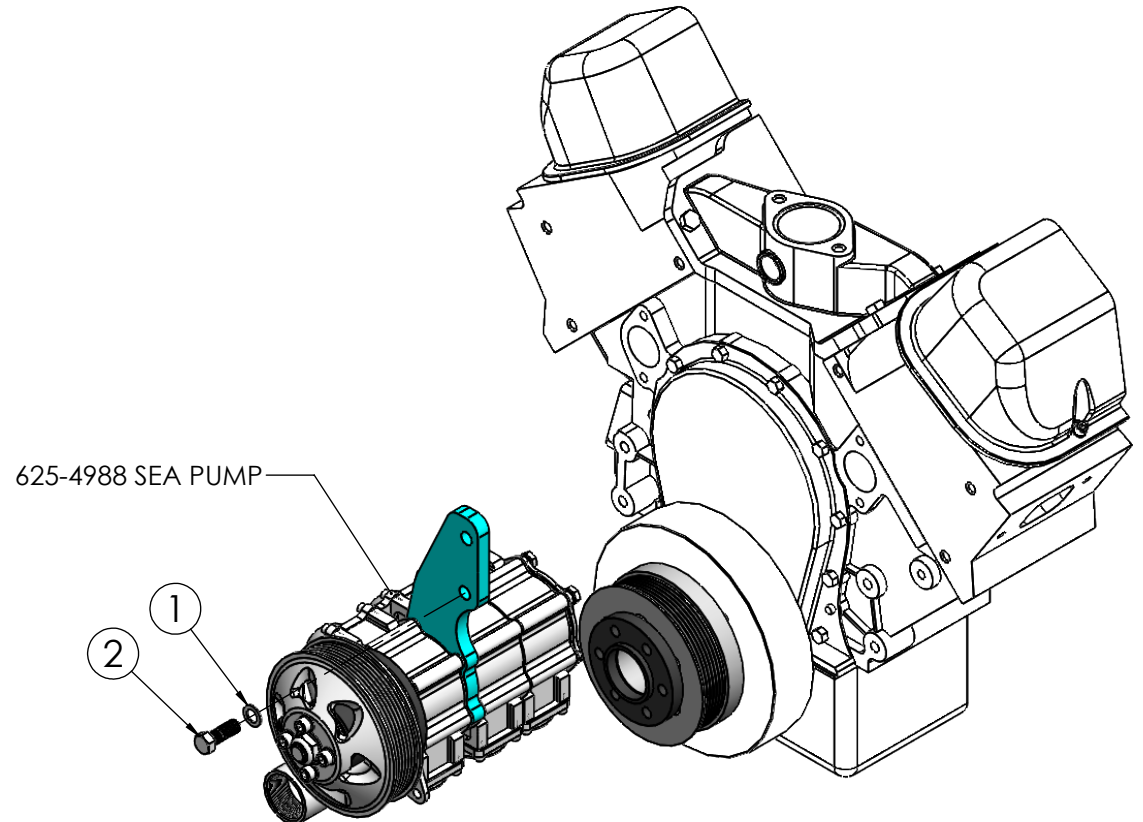
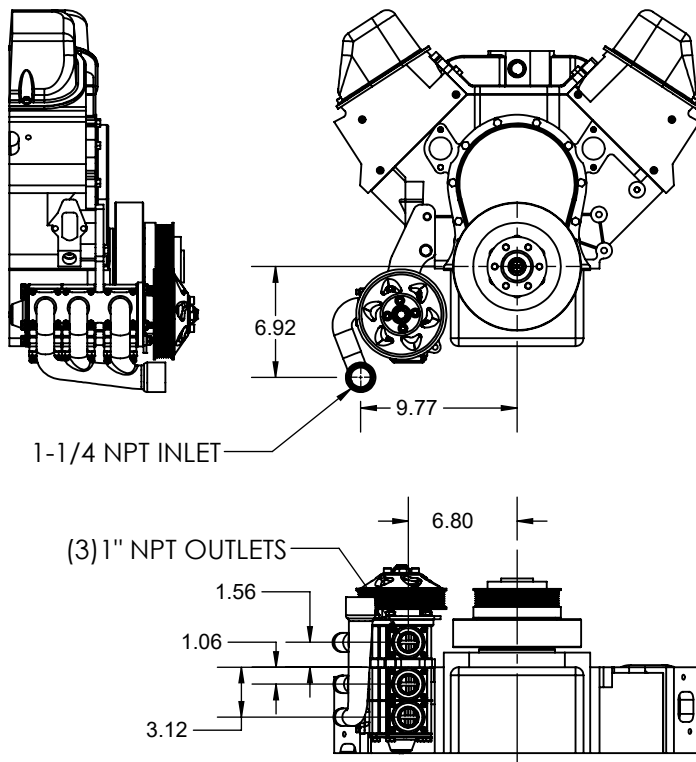
TITLE:  
SUPERCHARGER WET SUMP DRIVE KIT - STEP 2

www.hardin-marine.com

ITEM NO.	PART NUMBER	DESCRIPTION	QTY.
1	90043AN-STSS	WASHER , 7/16AN	1
2	90043C125HHS	BOLT, 7/16-14 x 1.25	1

INSTALLATION INSTRUCTIONS:

- 1) SAME FOR DUAL AND TRIPLE STAGE SEA PUMP. YOU HAVE YOUR CHOICE OF INLET OR OUTLETS.
- 2) SLIDE #2 BOLT AND #1 WASHER INTO THE LOWER BOLT HOLE IN THE BRACKET. USING 5/8 SOCKET INSTALL SEA PUMP TO THE BLOCK. ALIGN UPPER HOLE AND SNUG THE BOLT.



THIS DRAWING IS CONFIDENTIAL AND IS SUPPLIED ON EXPRESS CONDITION THAT IT SHALL NOT BE LENT, COPIED OR DISCLOSED TO ANY OTHER PERSON OR USED FOR ANY OTHER PURPOSE WITHOUT WRITTEN CONSENT OF HARDIN MARINE INC.. BREACH OF THIS CONTRACT WILL HOLD ..... AND IT'S PRINCIPALS LIABLE FOR LOSS AND DAMAGES.

HARDIN  
MARINE

11 Industry Dr. Palm Coast, FL 32137  
386-445-2500 / FAX 386-445-1122

PART NO.

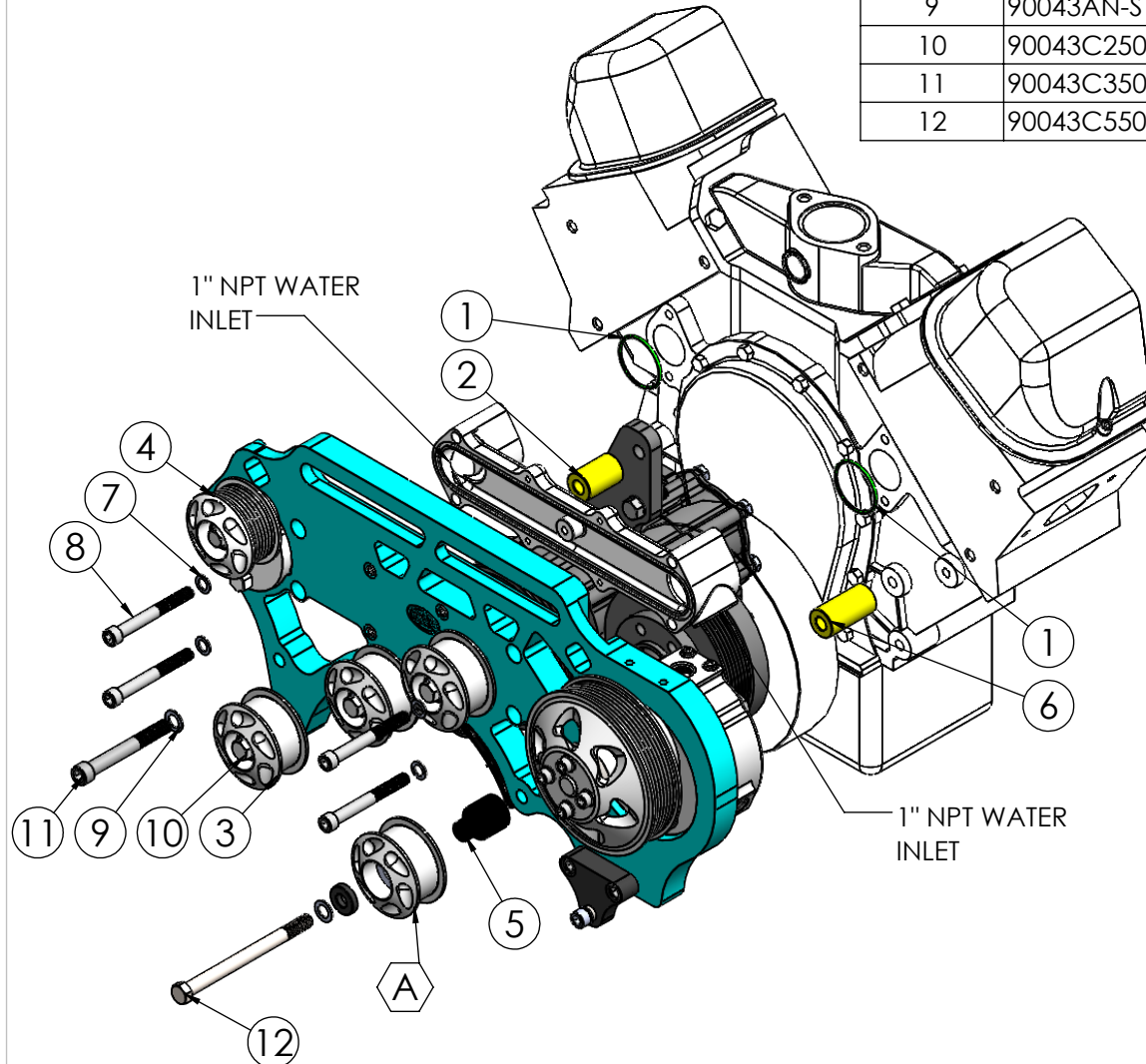
625-8241 &  
625-8243

ITEM NO.	PART NUMBER	DESCRIPTION	QTY.
1	625-1131	O-RING	2
2	625-4040	SPACER, SEA PUMP TO X-OVER	1
3	625-4364	PULLEY, SMOOTH IDLER	4
4	625-4365	PULLEY, RIBBED IDLER	1
5	625-4422	SPACER, IDLER - GEN 2	4
6	625-4436	SPACER, BLOCK TO X-OVER COVER	1
7	90037AN-STSS	WASHER, 3/8 AN	10
8	90037C325SHS	BOLT, SHCS, 3/8-16 x 3.25	4
9	90043AN-STSS	WASHER, 7/16AN	6
10	90043C250HHS	BOLT, HHCS, 7/16-14x2.50	3
11	90043C350SHS	BOLT, SHCS, 7/16-14x3.50	1
12	90043C550HHS	BOLT, HHCS, 7/16-14x5.50	1

TITLE:

## SUPERCHARGER WET SUMP DRIVE KIT - STEP 3

www.hardin-marine.com



### INSTALLATION INSTRUCTIONS:

- 1) CROSSOVER COMES COMPLETELY ASSEMBLED.
- 2) APPLY WHITE LITHIUM GREASE TO #1 O-RINGS AND INSTALL INTO THE GROOVES IN THE BACKSIDE OF THE CROSSOVER BODY.
- 3) USING 5/8 SOCKET, REMOVE IDLER PULLEY ASSEMBLY. FIG A.
- 4) #2 SPACER IS INSTALLED BETWEEN THE CROSSOVER AND THE SEA PUMP BRACKET. IT IS HELD IN PLACE #11 BOLT & #9 WASHER.
- 5) #3 SPACER IS INSTALLED BETWEEN THE BLOCK AND CROSSOVER. IT IS HELD IN PLACE WITH #12 BOLT AND #9 WASHER.
- 6) INSTALL CROSSOVER USING #8 BOLTS AND #7 WASHERS. USING 5/16 HEX SOCKET TORQUE TO 35 FT. LBS..
- 7) USING 5/8 SOCKET, INSTALL #11 BOLT & #9 WASHER INTO THE BRACKET THAT GOES THROUGH THE SEA PUMP BRACKET. TORQUE TO 45 FT. LBS..
- 8) USING 5/8 SOCKET, REINSTALL IDLER ASSEMBLY. TORQUE TO 45 FT. LBS..
- 9) USING 5/8 SOCKET, TORQUE LOWER SEA PUMP BOLT TO 45 FT. LBS..

THIS DRAWING IS CONFIDENTIAL AND IS SUPPLIED ON EXPRESS CONDITION THAT IT SHALL NOT BE LENT, COPIED OR DISCLOSED TO ANY OTHER PERSON OR USED FOR ANY OTHER PURPOSE WITHOUT WRITTEN CONSENT OF HARDIN MARINE INC.. BREACH OF THIS CONTRACT WILL HOLD ..... AND IT'S PRINCIPALS LIABLE FOR LOSS AND DAMAGES.

HARDIN 11 Industry Dr. Palm Coast, FL 32137  
MARINE 386-445-2500 / FAX 386-445-1122

PART NO.  
625-8241 /  
625-8243

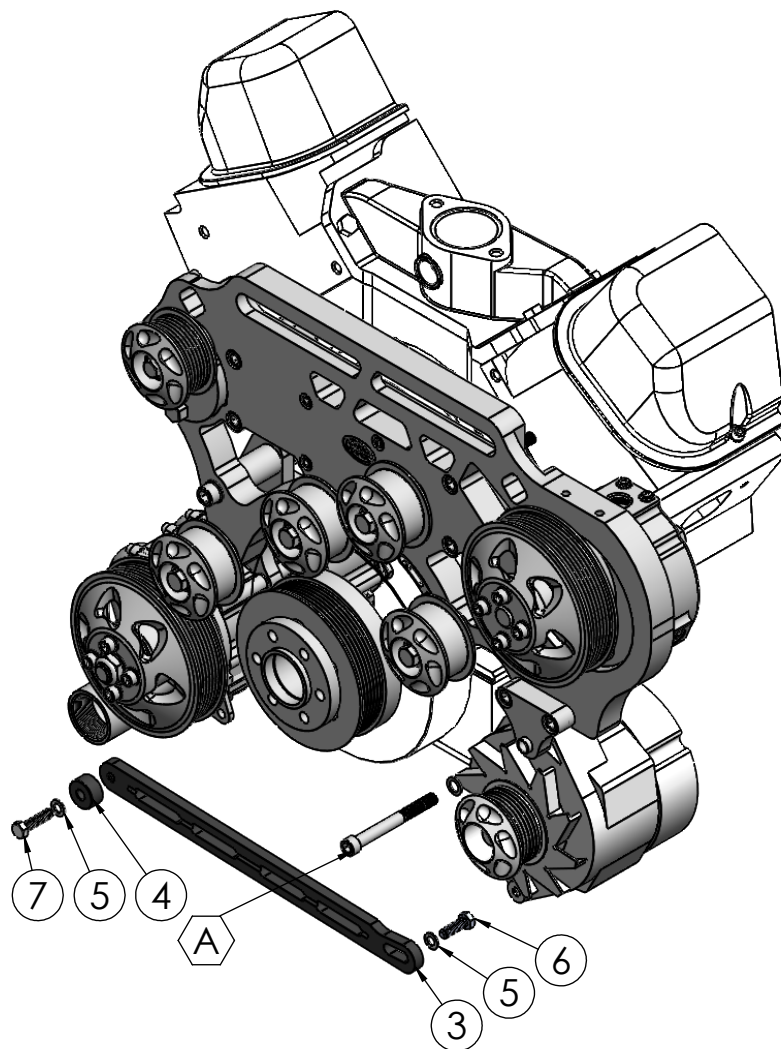
TITLE:  
SUPERCHARGER WET SUMP DRIVE KIT - STEP 4

www.hardin-marine.com

ITEM NO.	PART NUMBER	DESCRIPTION	QTY.
1	620-3147M-NC	94 AMP CHROME ALTERNATOR	1
2	625-3130	PULLEY, ALTERNATOR	1
3	625-3133	RAIL, SERPENTINE CROSS SUPPORT	1
4	625-3134	SPACER, SERPENTINE CROSS SUPPORT	1
5	90031AN-STSS	WASHER, 5/16 AN	2
6	90031C100HHS	BOLT, 5/16-18 x 1.00	1
7	90031C125HHS	BOLT, 5/16-18x1.25	1

#### INSTALLATION INSTRUCTIONS:

- 1) THE ALTERNATOR PULLEY COMES INSTALLED ON THE ALTERNATOR.
- 2) REMOVE THE 3/8 x 3-1/2 BOLT THAT COMES WITH THE ALTERNATOR BRACKET, FIG. A.
- 3) APPLY LOCTITE TO THE ALTERNATOR BOLT. SLIDE ALTERNATOR INTO THE BRACKET. USING 5/16 HEX SOCKET SNUG THE BOLT.
- 4) APPLY RED LOCTITE TO #6 & #7 BOLTS. INSTALL #5 WASHERS ONTO THE BOLTS.
- 5) POSITION #3 CROSS SUPPORT & #4 SPACER ON THE BACK SIDE OF THE SEA PUMP BRACKET. INSTALL #7 BOLT AND #5 WASHER FROM THE FRONT SIDE OF THE BRACKET AND SCREW INTO THE SUPPORT RAIL.
- 6) ON THE ALTERNATOR SIDE, THE BRACKET SITS BEHIND THE ALTERNATOR. SLIDE #6 BOLT AND #5 WASHER IN FROM THE BACK SIDE AND SCREW INTO THE SUPPORT RAIL.
- 7) SLIDE ALTERNATOR ALL THE WAY OUT. USING 5/16 HEX SOCKET TIGHTEN UPPER BOLT TO 30 FT. LBS..
- 8) USING 1/2 SOCKET TORQUE BOTH SUPPORT RAILS BOLTS TO 20 IN. LBS..
- 9) THIS IS A SINGLE WIRE SELF EXCITING INTERNALLY REGULATED ALTERNATOR. CONNECT THE BATTERY CABLE TO THE B+ STUD ON THE BACKSIDE OF THE ALTERNATOR. THE GROUND TAB IS NOT NECESSARY AS IT IS NEGATIVE GROUND AND GROUNDS THROUGH THE ENGINE. THE MERCURY PURPLE EXCITER WIRE IS NOT USED.





HARDIN 11 Industry Dr. Palm Coast, FL 32137  
MARINE 386-445-2500 / FAX 386-445-1122

PART NO.  
625-8241 /  
625-8243

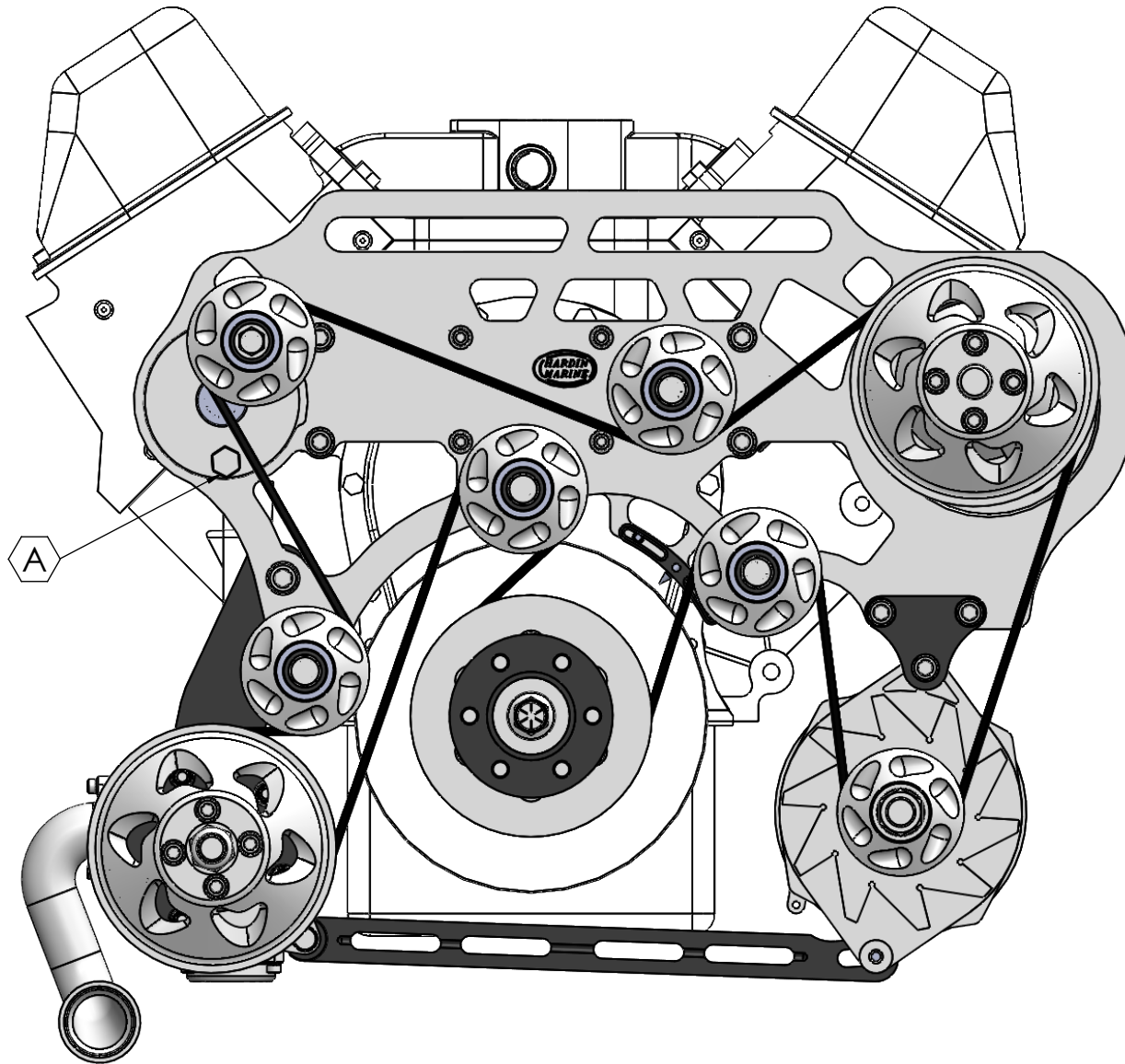
TITLE:

SUPERCHARGER WET SUMP DRIVE KIT - STEP 5

[www.hardin-marine.com](http://www.hardin-marine.com)

INSTALLATION INSTRUCTIONS:

- 1) ROUTE 625-2331 SERPENTINE BELT AS SHOWN.
- 2) USING A 5/8 WRENCH. TURN HEX NUT ON TENSIONER, FIG. A CLOCKWISE.



THIS DRAWING IS CONFIDENTIAL AND IS SUPPLIED ON EXPRESS CONDITION THAT IT SHALL NOT BE LENT, COPIED OR DISCLOSED TO ANY OTHER PERSON OR USED FOR ANY OTHER PURPOSE WITHOUT WRITTEN CONSENT OF HARDIN MARINE INC.. BREACH OF THIS CONTRACT WILL HOLD ..... AND IT'S PRINCIPALS LIABLE FOR LOSS AND DAMAGES.

HARDIN 11 Industry Dr. Palm Coast, FL 32137  
MARINE 386-445-2500 / FAX 386-445-1122

PART NO.  
625-8241 /  
625-8243

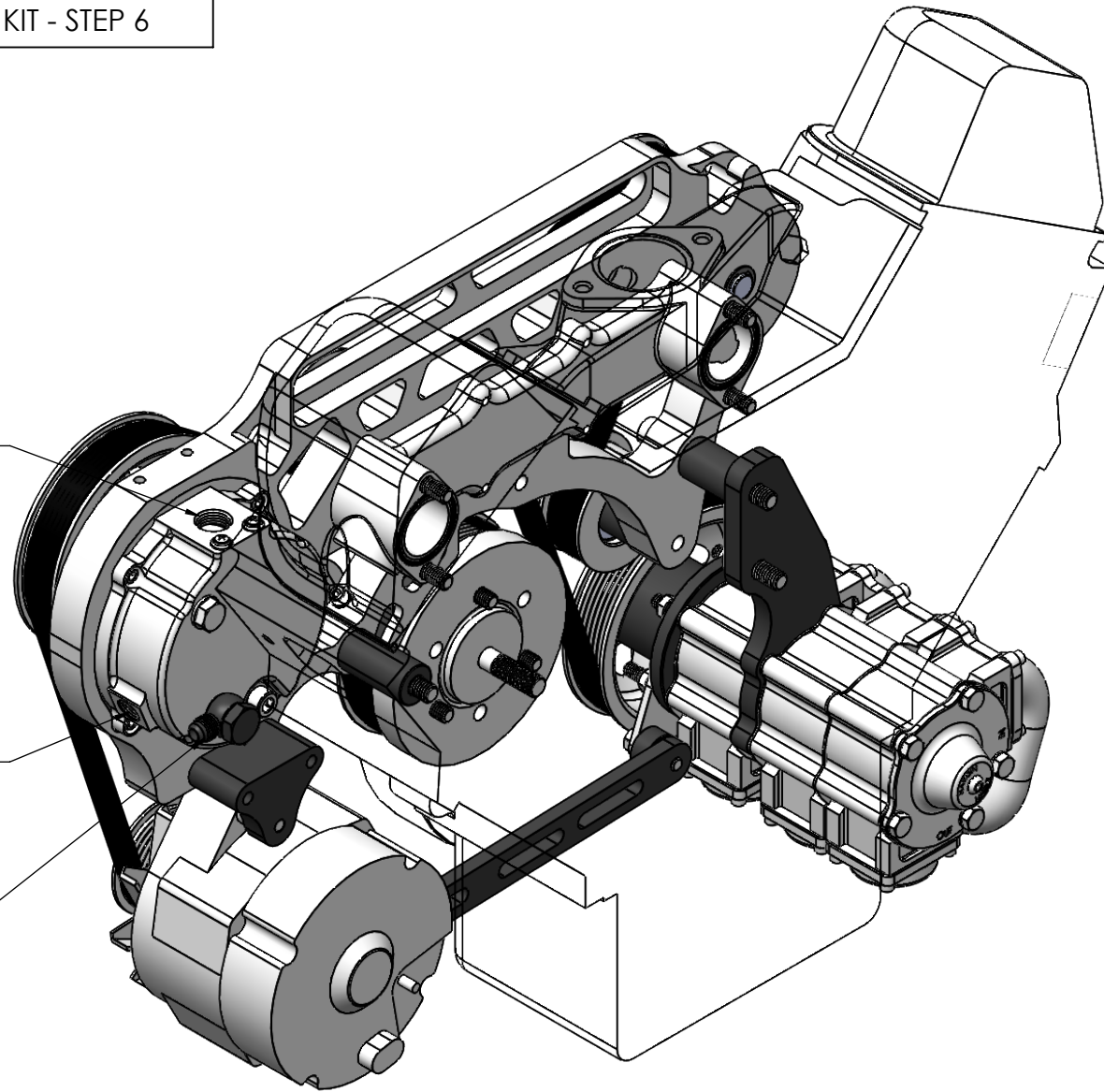
TITLE:  
SUPERCHARGER WET SUMP DRIVE KIT - STEP 6

[www.hardin-marine.com](http://www.hardin-marine.com)

1/2 NPT LOW PRESSURE  
RETURN FROM RESERVOIR

3/8 NPT LOW PRESSURE  
RETURN FROM OIL COOLER

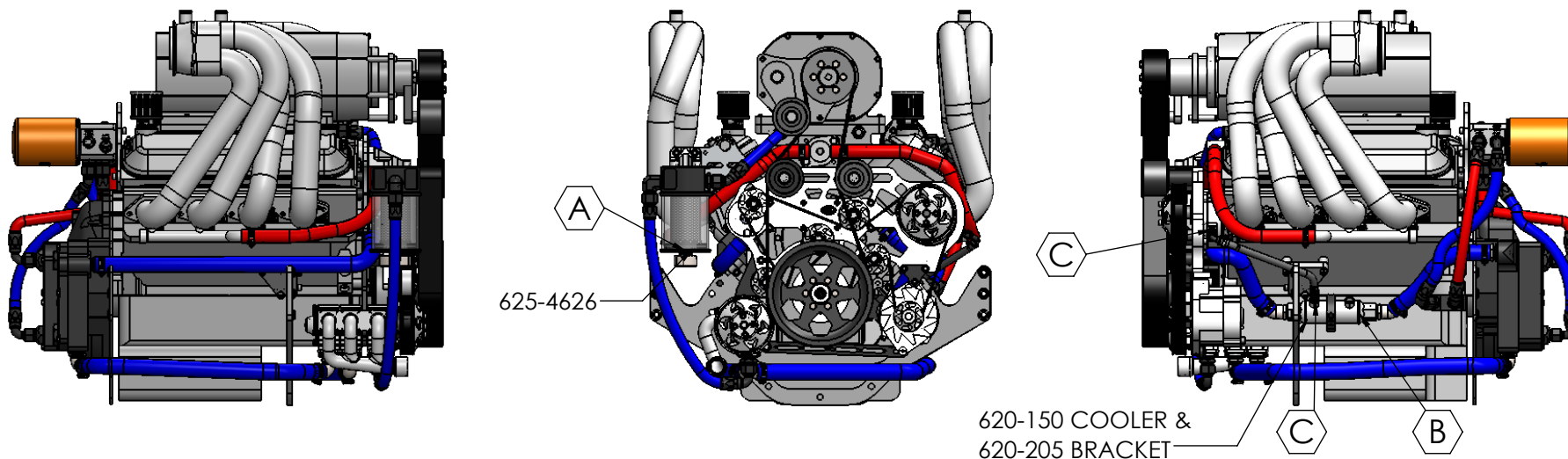
-6 JIC HI PRESSURE OUTLET



THIS DRAWING IS CONFIDENTIAL AND IS SUPPLIED ON EXPRESS CONDITION THAT IT SHALL NOT BE LENT, COPIED OR DISCLOSED TO ANY OTHER PERSON OR USED FOR ANY OTHER PURPOSE WITHOUT WRITTEN CONSENT OF HARDIN MARINE INC.. BREACH OF THIS CONTRACT WILL HOLD ..... AND IT'S PRINCIPALS LIABLE FOR LOSS AND DAMAGES.

TITLE: SUPERCHARGER WET SUMP DRIVE KIT - STEP 7

www.hardin-marine.com



ASSEMBLY IS USED FOR 625-8241 & 625-8243 DRIVE KIT. 625-8243 SHOWN:

PLUMBING INSTRUCTIONS:

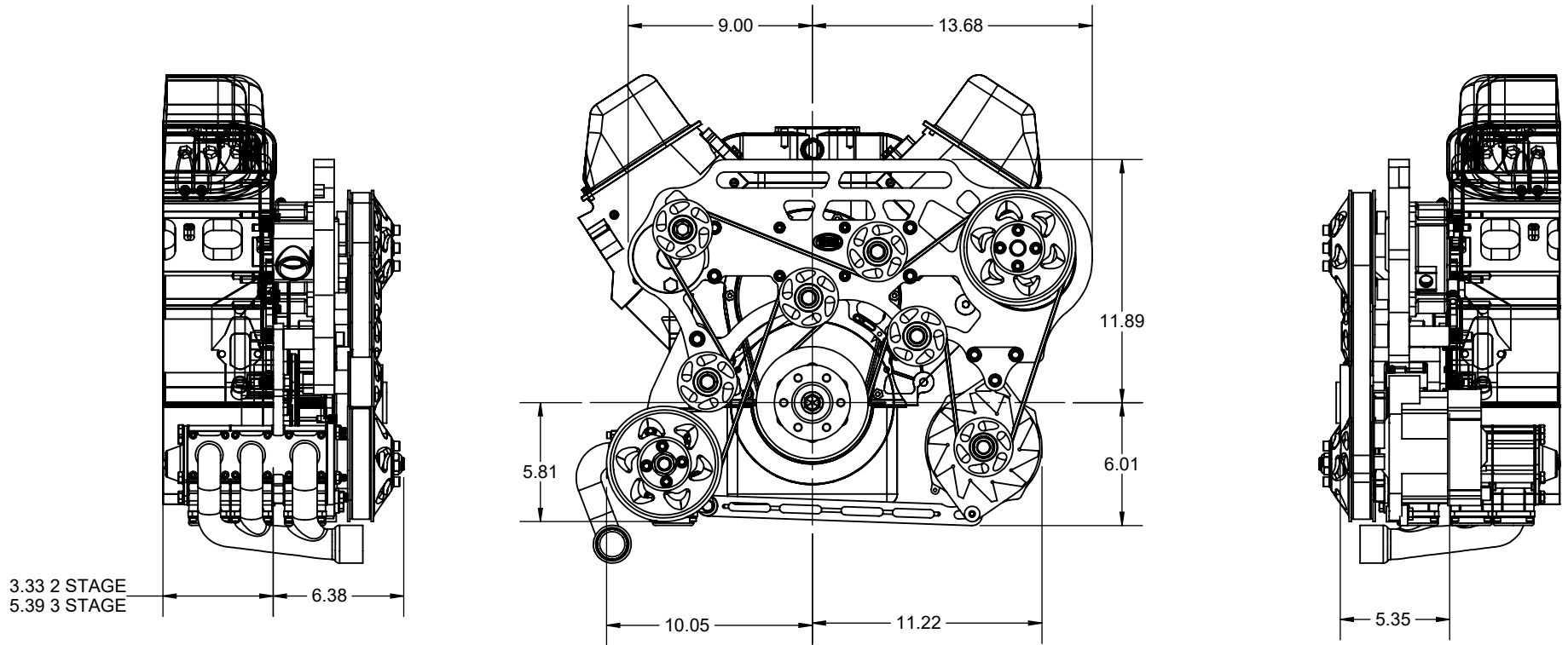
- 1) THIS SHOWS PLUMBING OF A 3 STAGE SEA PUMP THAT HAS 3 INDIVIDUAL OUTLETS TO BELLHOUSING WITH OIL COOLERS.
- 2) THE BLUE HOSES COMING OUT OF THE SEA PUMP RUN TO THE BOTTOM OF EACH SIDE OF THE BELLHOUSING.
- 3) THE WATER THEN EXITS THE TOP OF THE BELLHOUSING AND RETURNS BACK TO EACH SIDE OF THE CROSSOVER. CROSSOVER BODY HAS 1" NPT PORTS. NO FITTINGS SUPPLIED.
- 4) THE WATER EXITS THE INTAKE MANIIFOLD AND IS PLUMBED TO HEADER WATER INLET TUBE. HOSES SHOWN IN RED.
- 5) THE THIRD STAGE OF THE SEA PUMP THEN IS PLUMBED TO THE 625-4626 INTERCOOLER SAND STRAINER, FIG.A
- 6) WATER EXITS THE INTERCOOLER STRAINER AND IS PLUMBED TO THE INTAKE MANIFOLD. SEE INTERCOOLER SUPPLIER FOR PROPER PLUMBING AND HOSE SIZING.
- 7) ON THE PORT SIDE OF THE ENGINE. WE SHOW THE WATER BEING PLUMBED THROUGH THE 620-150 POWER STEERING COOLER BEFORE GOING TO THE CROSSOVER, FIG, B.
- 8) FIG. C SHOWS -6 RETURN LINE COMING OUT OF THE OIL COOLER TO THE RESERVOIR. SEE STEP 6 FOR POWER STEERING PLUMBING.
- 9) KIT IS NOT SUPPLIED WITH HOSES, FITTINGS, WATER OUTLET, INTERCOOLER STAINER , POWER STEERING COOLER AND BRACKET.

HARDIN 11 Industry Dr. Palm Coast, FL 32137  
MARINE 386-445-2500 / FAX 386-445-1122

PART NO.  
625-8241 /  
625-8243

TITLE:  
SUPERCHARGER WET SUMP DRIVE KIT - DIMENSIONS

www.hardin-marine.com



THIS DRAWING IS CONFIDENTIAL AND IS SUPPLIED ON EXPRESS CONDITION THAT IT SHALL NOT BE LENT, COPIED OR DISCLOSED TO ANY OTHER PERSON OR USED FOR ANY OTHER PURPOSE WITHOUT WRITTEN CONSENT OF HARDIN MARINE INC.. BREACH OF THIS CONTRACT WILL HOLD ..... AND IT'S PRINCIPALS LIABLE FOR LOSS AND DAMAGES.