

HARDIN MARINE 11 Industry Dr. Palm Coast, FL 32137
386-445-2500 / FAX 386-445-1122

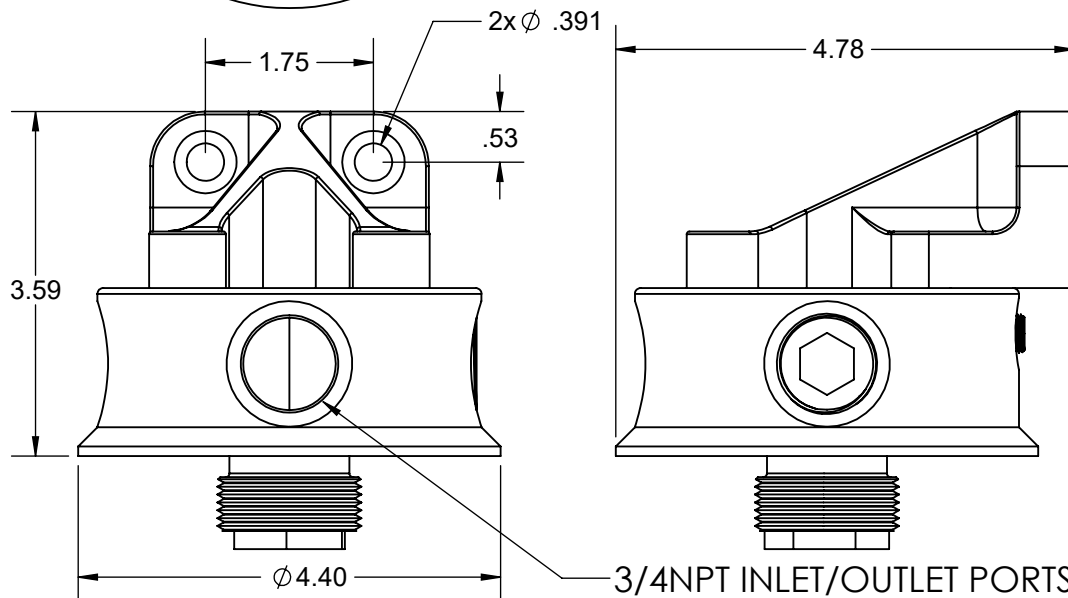
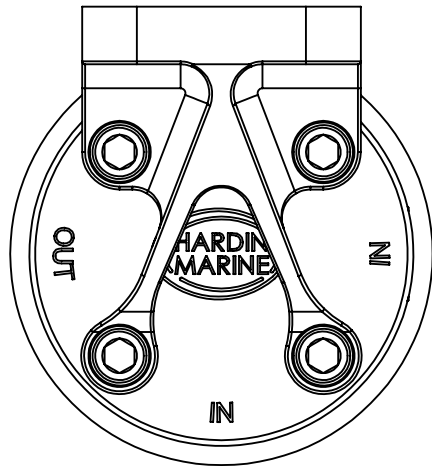
PART NO.
625-7721 &
625-7722

TITLE:

BULKHEAD FILTER MOUNT

www.hardin-marine.com

625-7721 HAS SS BRACKET AND POLISHED HEAD.
625-7722 HAS SS BRACKET AND BLACK HEAD.



625-2021 1/8 NPT PIPE PLUG

90037C075SHS BOLTS

90037AN-STSS WASHERS

625-7651 FORK BRACKET

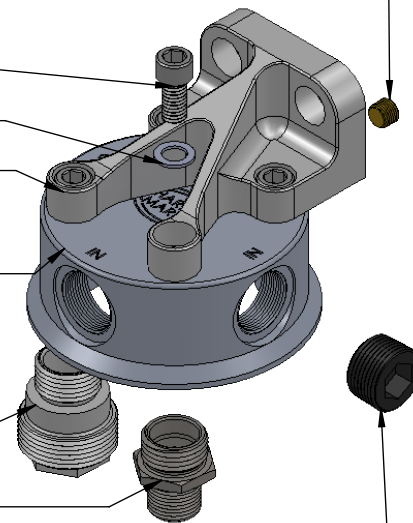
625-7650 POLISHED HEAD

625-7656 BLACK HEAD

625-7803 HP6 ADAPTER

625-7802 HP4 ADAPTER

625-2035 3/4 NPT PIPE PLUG



INSTALLATION INSTRUCTIONS:

- 1) FILTER HEAD COMES FROM THE FACTORY WITH THE FORK BRACKET INSTALLED FOR PACKAGING PURPOSE ONLY.
- 2) FILTER HEAD HAS 2 INLETS TO AID IN PLUMBING. SUPPLIED IS 625-2035 PIPE PLUG TO PLUG OFF INLET THAT IS NOT BEING USED.
- 3) FILTER HEAD AS HAS 1/8 NPT PORT THAT CAN BE USED FOR PRESSURE GAUGE OR FOR VALVE SPRING OILERS. SUPPLIED IS 625-2021 PIPE PLUG IF YOU DO NOT NEED THIS PORT.
- 4) USE BLUE LOCTITE TO THE 3/8-16 BOLTS MOUNING BOLTS. TORUE TO 30 FT. LBS..
- 5) FILTER HEAD IS SUPPLIED WITH 625-7802 HP4 AND 625-7803 HP6 FILTER ADAPTERS. INSTALL ADAPTER INTO THE FILTER HEAD USING BLUE LOCTITE. TORQUE TO 50 FT. LBS..

THIS DRAWING IS CONFIDENTIAL AND IS SUPPLIED ON EXPRESS CONDITION THAT IT SHALL NOT BE LENT, COPIED OR DISCLOSED TO ANY OTHER PERSON OR USED FOR ANY OTHER PURPOSE WITHOUT WRITTEN CONSENT OF HARDIN MARINE INC.. BREACH OF THIS CONTRACT WILL HOLD AND IT'S PRINCIPALS LIABLE FOR LOSS AND DAMAGES.