



# GEN 8 SEA PUMP

625-4122



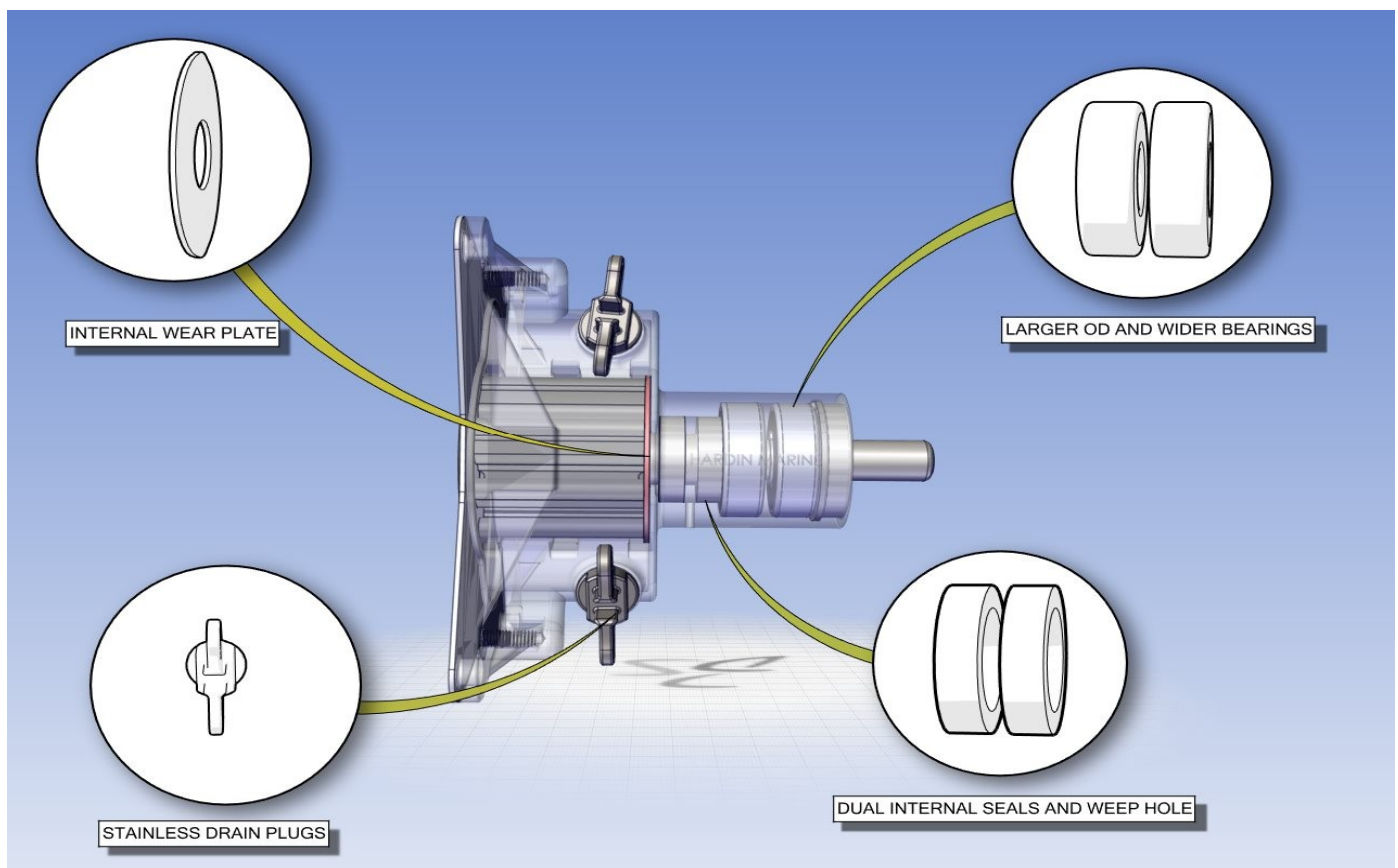


# GEN 8 SEA PUMP

625-4122

## HARDIN MARINE ADVANTAGE

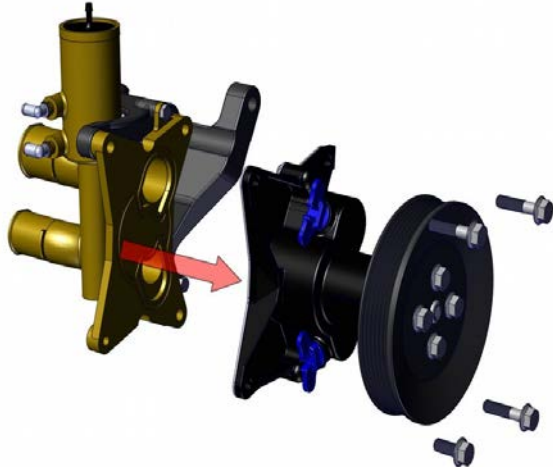
- **316 POLISHED STAINLESS HOUSING.**
- **INTERNAL WEAR PLATE MAKING PUMP LAST A LIFETIME.**
- **DUAL SEALS.**
- **LARGER BEARINGS INCREASES WORKING LOAD BY 40%.**
- **STAINLESS DRAIN PLUGS.**
- **LARGER SHAFT FOR D SHAPE MERCURY IMPELLERS.**





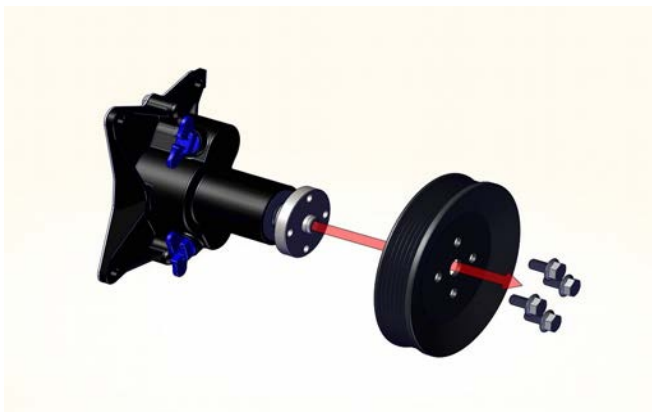
# GEN 8 SEA PUMP

625-4122



## Step 1

1. Remove belt.
2. Using a 10 mm socket, remove the 4 bolts as shown.
3. The rear housing will stay mounted to the bracket. No need to remove the hoses.
4. Look at the last page of these instructions. You need to look at the rear cover to see if you have Gen 1 or Gen 2 housing.



## Step 2

1. Using a 10 mm socket, remove the 4 bolts as shown.
2. You do not need to remove the hub.



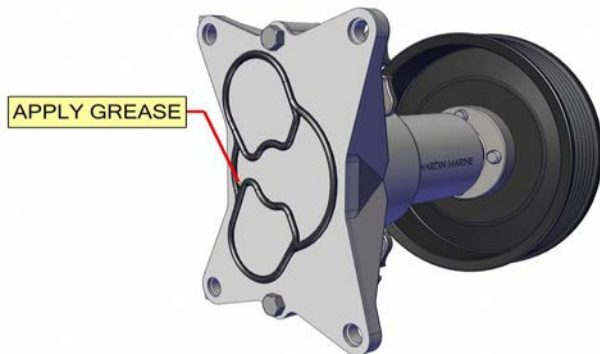
# GEN 8 SEA PUMP

625-4122



## Step 4

1. Slide pulley onto the shaft.
2. Apply blue loctite to the 4 bolts.
3. Use 10mm socket and torque to 17 ft. lbs..`



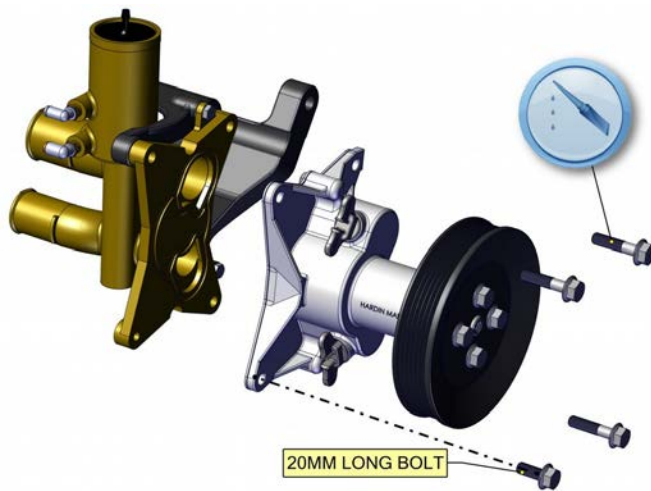
## Step 5

1. Apply white lithium grease to the molded o-ring on both sides.
2. Install rear plate to the pump, Gen 1 shown.
3. Apply blue loctite to the bolts.
4. Using 10 mm socket, torque to 17 ft. lbs..



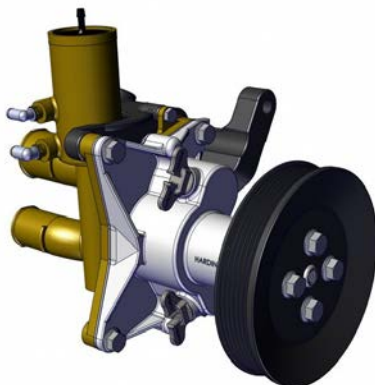
# GEN 8 SEA PUMP

625-4122



## Step 6

1. Make sure to install the 20mm long bolt in the pump as shown.
2. Apply blue loctite to the 4 bolts.
3. Use 10mm socket and torque bolts to 17 ft. lbs..



## Step 7

1. Check for proper belt alignment. If not aligned properly repeat steps 3 and 4 till pulley is aligned properly.
2. Installation is complete.

HARDIN  
MARINE

11 Industry Dr. Palm Coast, FL 32137  
386-445-2500 / FAX 386-445-1122

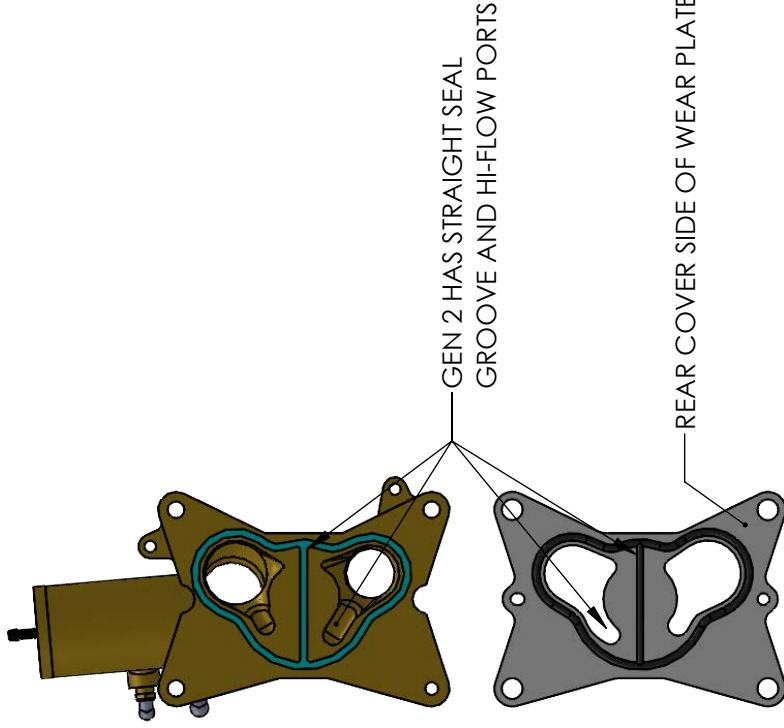
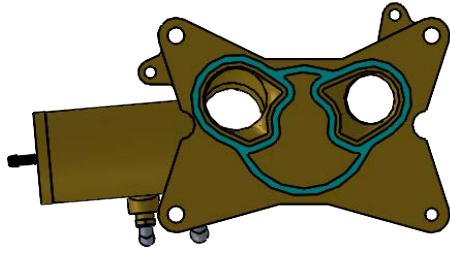
PART NO.

625-4122

TITLE:

## GEN 8 REAR COVER DIFFERENCES

[www.hardin-marine.com](http://www.hardin-marine.com)



625-4306

625-4310

REAR COVER SIDE OF WEAR PLATE

MODEL	SERIAL NUMBER
MERCURY 4.5L BRAVO MPI	2A531162 & BELOW
MERCURY 6.2L BRAVO MPI	2A531196 & BELOW
MERCURY 6.2L INBOARD MPI	2A530773 & BELOW
MERCURY 5.2L TOWSPORT MPI	2A531347 & BELOW

MODEL	SERIAL NUMBER
MERCURY 4.5L BRAVO MPI	2A531163 & ABOVE
MERCURY 6.2L BRAVO MPI	2A531197 & ABOVE
MERCURY 6.2L INBOARD MPI	2A530774 & ABOVE
MERCURY 6.2L TOWSPORT MPI	2A531348 & ABOVE

THIS DRAWING IS CONFIDENTIAL AND IS SUPPLIED ON EXPRESS CONDITION THAT IT SHALL NOT BE LENT, COPIED OR DISCLOSED TO ANY OTHER PERSON OR USED FOR ANY OTHER PURPOSE WITHOUT WRITTEN CONSENT OF HARDIN MARINE INC.. BREACH OF THIS CONTRACT WILL HOLD ..... AND IT'S PRINCIPALS LIABLE FOR LOSS AND DAMAGES.

HARDIN  
MARINE

11 Industry Dr. Palm Coast, FL 32137  
386-445-2500 / FAX 386-445-1122

PART NO.

625-4122

TITLE:

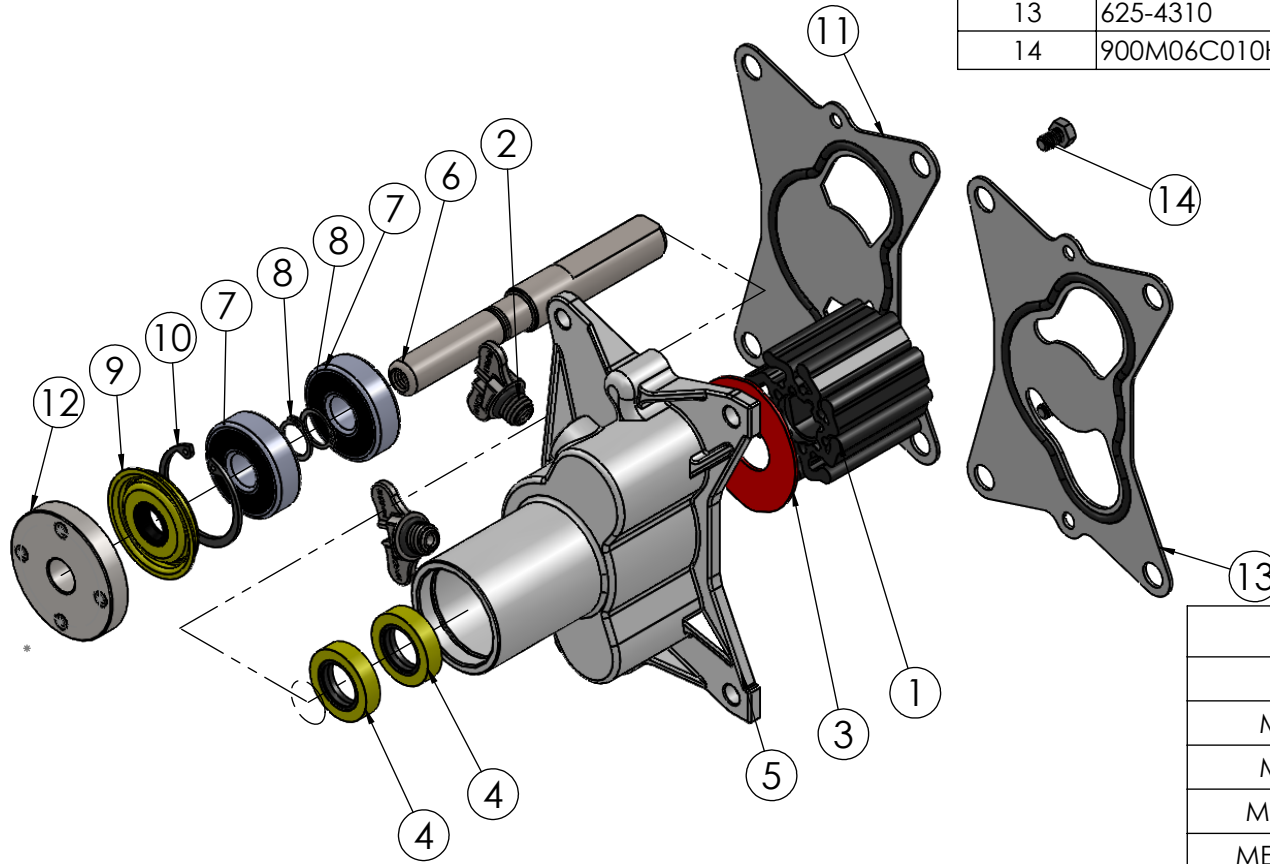
# GEN 8 SEA PUMP

www.hardin-marine.com

## #11 625-4306 WEAR PLATE

MODEL	SERIAL NUMBER
MERCURY 4.5L BRAVO MPI	2A531162 & BELOW
MERCURY 6.2L BRAVO MPI	2A531196 & BELOW
MERCURY 6.2L INBOARD MPI	2A530773 & BELOW
MERCURY 5.2L TOWSPORT MPI	2A531347 & BELOW

ITEM NO.	PART NUMBER	DESCRIPTION	QTY.
1	625-4011	IMPELLER, SEA PUMP	1
2	625-4289	DRAIN PLUG	2
3	625-4245	WEAR PLATE, INTERNAL	1
4	625-4234	SEAL, GEN 7/8 SEA PUMP	2
5	625-4300	BODY	1
6	625-4301	SHAFT, SEA PUMP	1
7	625-4302	BEARING, SEA PUMP	2
8	625-4303	SNAP RING, SHAFT	2
9	625-4304	SEAL, FRONT	1
10	625-4305	SNAP RING, HOUSING	1
11	625-4306	WEAR PLATE, GEN 8 STD	2
12	625-4307	HUB, GEN 8 SEA PUMP	1
13	625-4310	WEAR PLATE, GEN 8 HI-FLOW	1
14	900M06C010HHS	BOLT, 6MM x 10MM	2



### REBUILD KITS:

625-4123: STANDARD IMPELLER KIT - GEN 1  
COMES WITH PART NUMBERS 1, 3 & 11

625-4124: DELUXE REBUILD KIT - GEN 1  
COMES WITH PART NUMBERS 1,3,4,7,8,9,10 & 11

625-4125: STANDARD IMPELLER KIT - GEN 2  
COMES WITH PART NUMBERS 1,3 & 13

625-4126: DELUXE REBUILD KIT - GEN 2  
COME WITH PART NUMBERS 1,3,4,7,8,9,10 & 13

## #13 625-4310 WEAR PLATE

MODEL	SERIAL NUMBER
MERCURY 4.5L BRAVO MPI	2A531163 & ABOVE
MERCURY 6.2L BRAVO MPI	2A531197 & ABOVE
MERCURY 6.2L INBOARD MPI	2A530774 & ABOVE
MERCURY 6.2L TOWSPORT MPI	2A531348 & ABOVE

THIS DRAWING IS CONFIDENTIAL AND IS SUPPLIED ON EXPRESS CONDITION THAT IT SHALL NOT BE LENT, COPIED OR DISCLOSED TO ANY OTHER PERSON OR USED FOR ANY OTHER PURPOSE WITHOUT WRITTEN CONSENT OF HARDIN MARINE INC.. BREACH OF THIS CONTRACT WILL HOLD ..... AND IT'S PRINCIPALS LIABLE FOR LOSS AND DAMAGES.